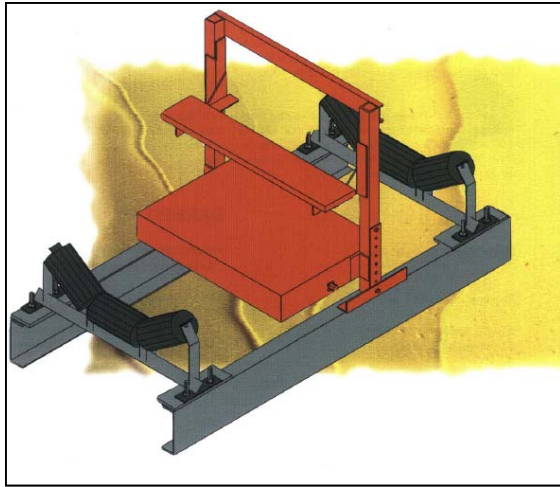


MODEL 5500 TRAMP METAL DETECTOR



Used to detect small pieces of metal, the Bulk Pro Systems **Model 5500 Tramp Metal Detector** is well suited for rugged environments. It will detect both magnetic and non-magnetic metal and is not affected by most process materials. Proven dependable under adverse conditions such as dust, moisture and vibrations, Bulk Pro Systems Model 5500 provides years of trouble free reliable operations.

With each model 5500 order, Bulk Pro Systems engineers design a detector specifically suited to the customer's unique requirements.

Some of the industries using and benefitting from the high sensitivity performance of the Model 5500 include: Plastics, Rubber, Rock and Aggregate, Ore, Glass Cullet, Wood, Textiles, Cement and Agricultural Products.

Features

- **High Metal Sensitivity**
- **Separate Antennas**
- **Single Solid State Plug-In Electronic Module**
- **Flexible Programming Capability**

Benefits

- **Microprocessor Based Electronics**
- **Bar Graph Display**
- **Membrane Keypad and Function LED's**
- **Multilanguage Available**
- **Remote Operation Capability**
- **Three Level Password Protection**
- **Event Log**
- **EEPROM Stored Parameters**
- **Self-Test Circuit with Fault Alarm**
- **Noise Reduction**
- **Under specific applications will detect metal as small as 5/32" cube.**

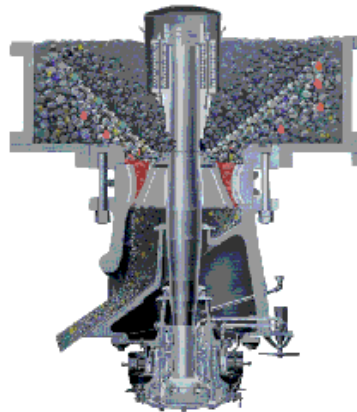
SPECIFICATIONS

Input Voltage:	120/220 VAC, 50/60 Hz
Power Required:	
No Output Load	35 Watts
Max Output Load	990 Watts
Output Signals:	
Direct Output	Dry Contacts (SPDT) Rated 3Amps @ 250VAC
Timed Output	Dry Contacts (SPDT) Rated 3Amps @ 250VAC
Fault Output	Dry Contacts (SPDT) Rated 3Amps @ 250VAC
Sensitivity Drift:	Less than 10%
Dust and Humidity:	No Restrictions
Operating Temperature:	-14° F (-10° C) to 120° F (+50° C)
Enclosure Rating:	NEMA-4
Interconnecting Cable:	25' Standard Length
Antenna:	Dual Antenna System
Warranty:	3 Years From Date of Shipment

Examples of Industrial Applications for the Bulk Pro Systems Model 50 Tramp Metal Detector

- **Aggregate** Protects Cone & Roll Crushers
- **Asphalt** Protects Cone Crushers
- **Mining** Protects Cone & Roll Crushers
- **Aluminum** Protects Impact Crushers
- **Coal** Protects Cone & Roll Crushers
- **Cement** Protects Cone & Roll Crushers
- **Wood** Protects Hogs & Impact Crushers
- **Waste Wood** Protects Hogs & Impact Crushers
- **Pressed Wood** Protects Press & Saws
- **Tire Recycling** Protects Knives

The Model 5500, when installed on a conveyor system, provides protection to downstream equipment by detecting the presence of potentially damaging metal objects. It is designed to detect all types of tramp metal, magnetic or non-magnetic.



Protect your crushers from tramp metal!

